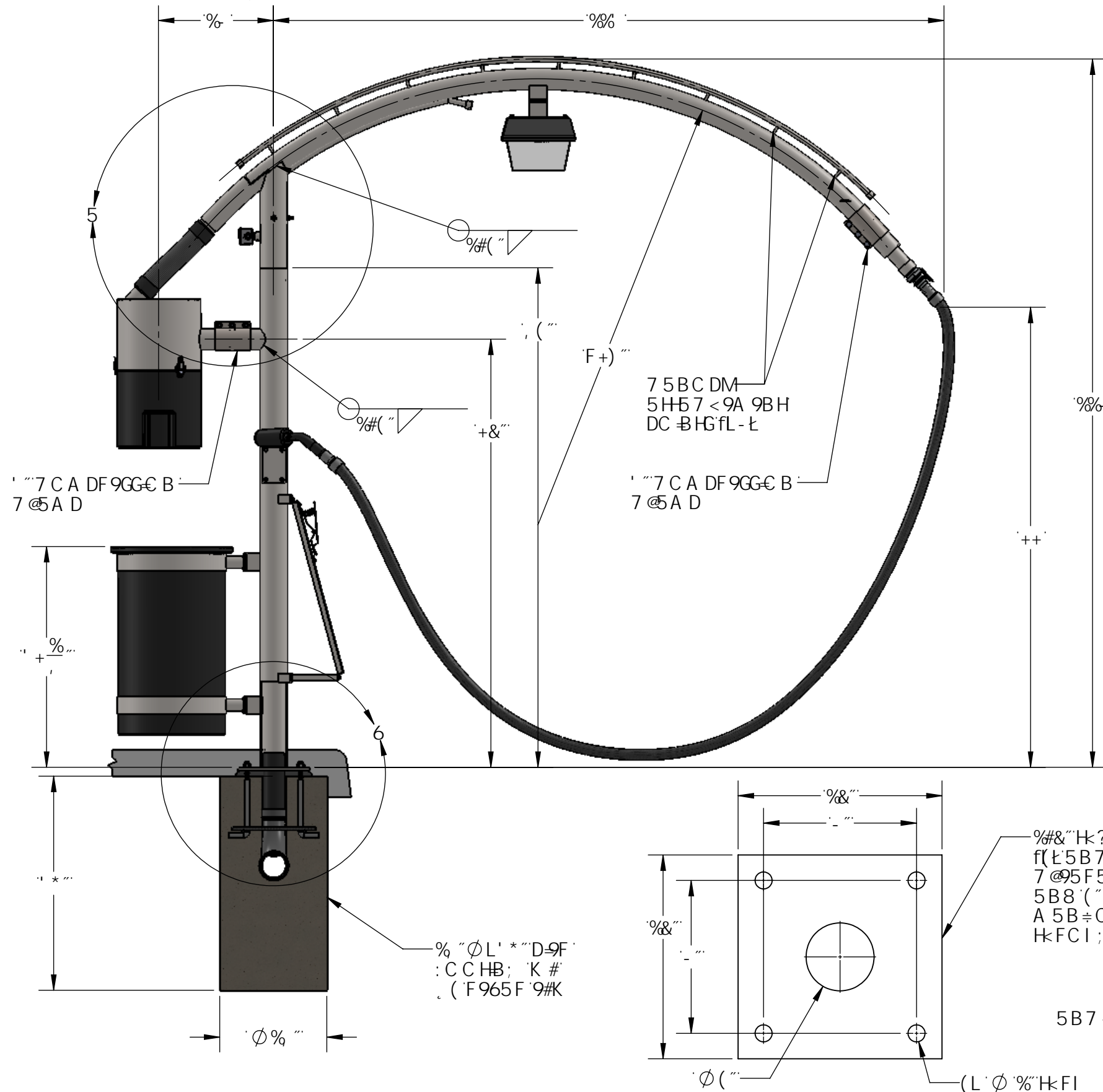


BC H9G  
 % : CCHB; '89H5 @G'5F9'F97 CA A 9B85HC BG'CB@M'IG9'  
 5'E I 5@: -98'7CBHF57HCF'5B8: C@@CK 5@@  
 5DD@7 56@'6I @B; '7C89G

5/5F7<'5B8: 00HB; '89H5@

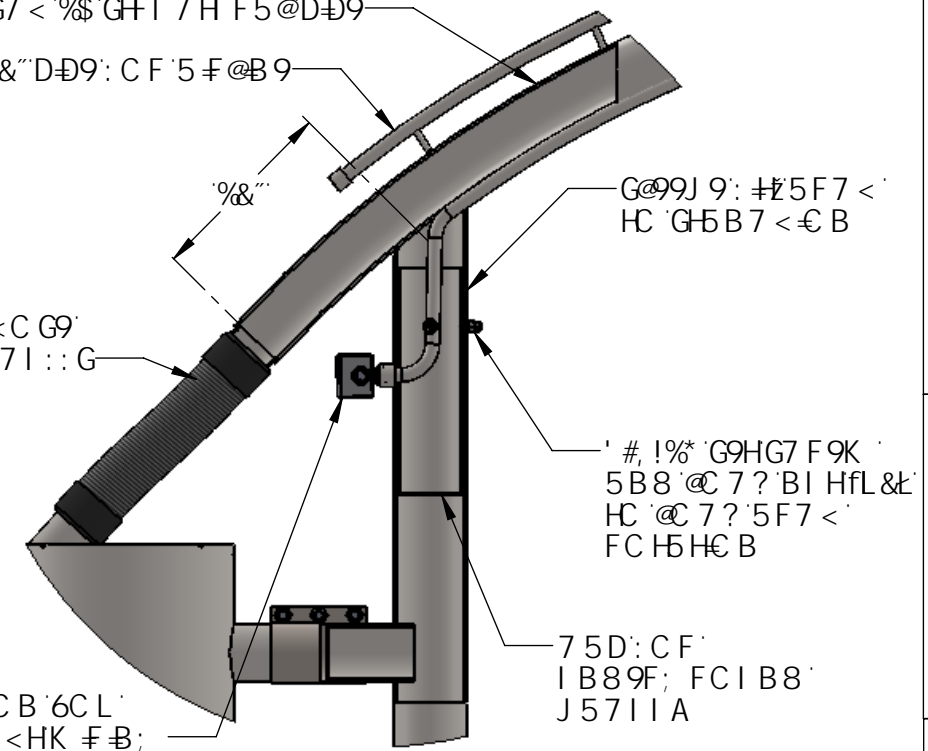
' "G7 < '%\$'GFI 7 H F5 @D@9

%#&"D@9: CF 5 F @B9

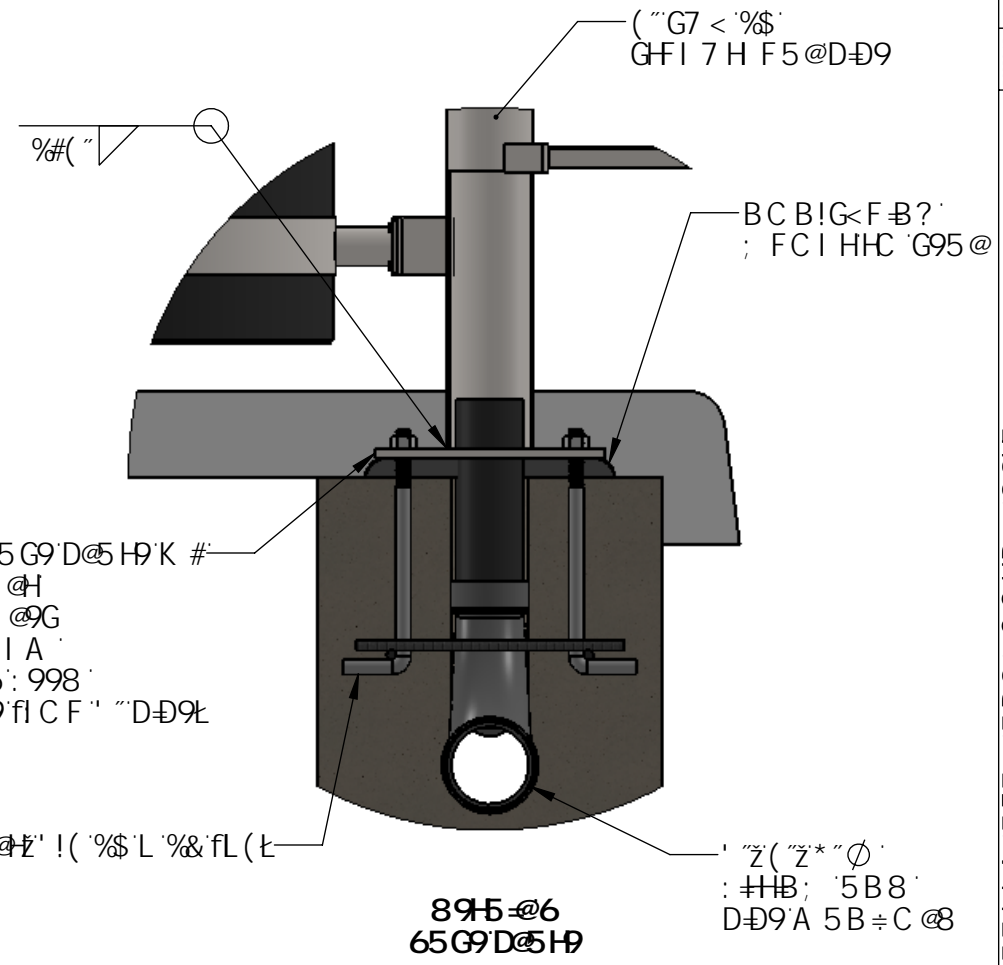


' "Ø: @L'  
 J5711A <CG9'  
 K #k 'G95@71:: G

>I B7HC B'6CL'  
 :CF @ <HK F@B;



89H5@5  
 5F7 < HC 'G5B7 <€B



%#&"HK?'G@9@65G9'D@5H9'K #'  
 f(Ł5B7 <CF'6C @H  
 7 @95F5B7 9 <C @G  
 5B8 ('Ø' J5711A  
 A 5B÷C @GH 6: 998'  
 HkFCI; <'<C @'fICF' "D@9Ł

5B7 <CF'6C @Ł' !(' %\$'L' %&'fL(Ł