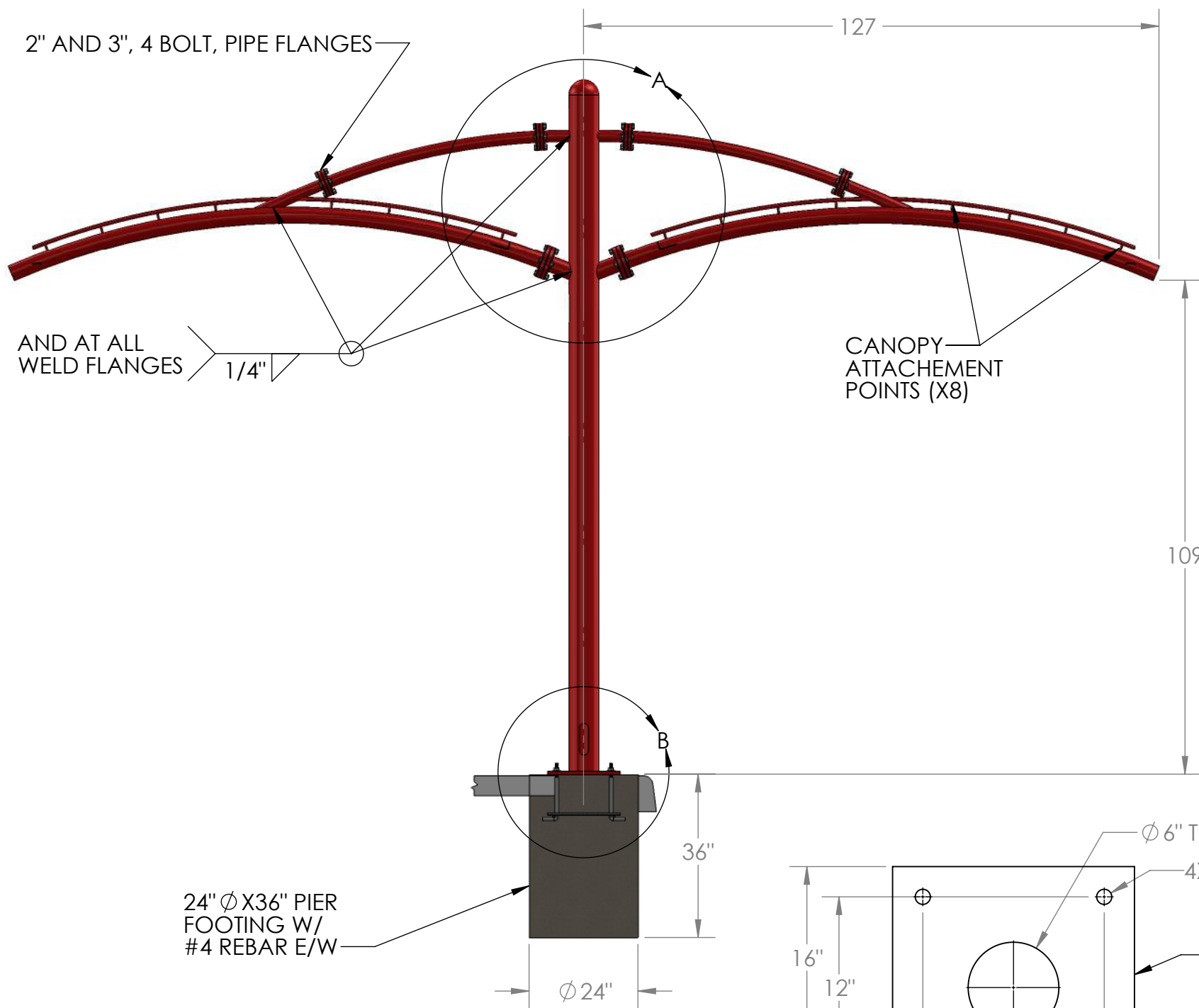


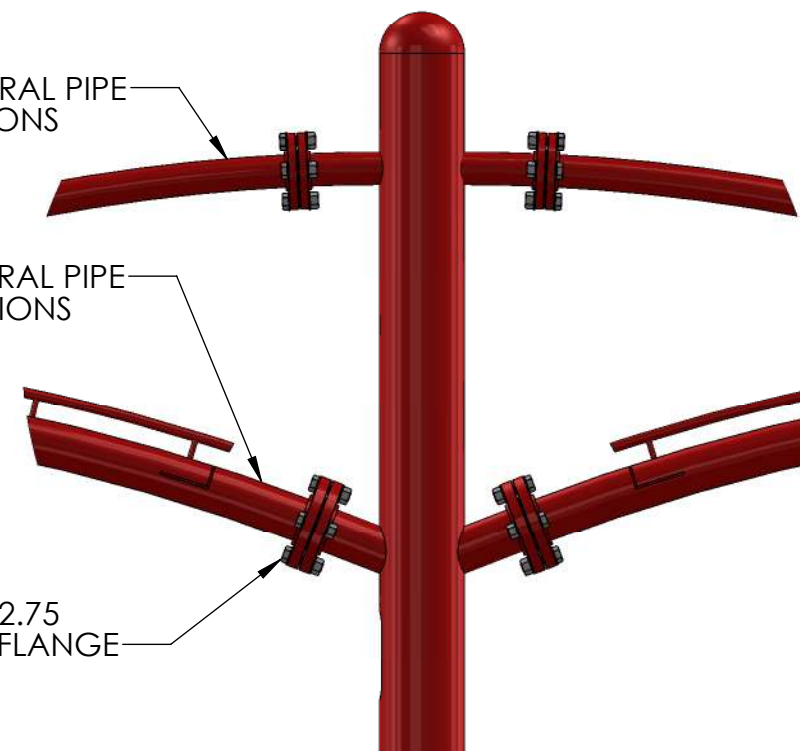
# L2S ARCH AND FOOTING DETAIL



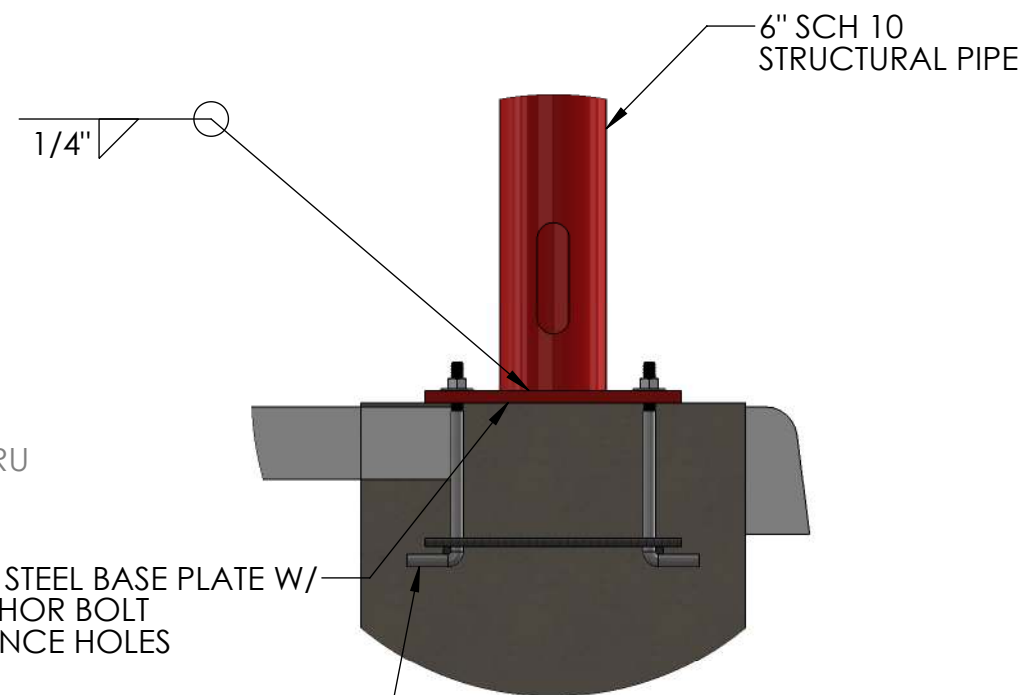
2" SCH 10 STRUCTURAL PIPE  
UPPER 'ARM' SECTIONS

3" SCH 10 STRUCTURAL PIPE  
LOWER 'ARM' SECTIONS

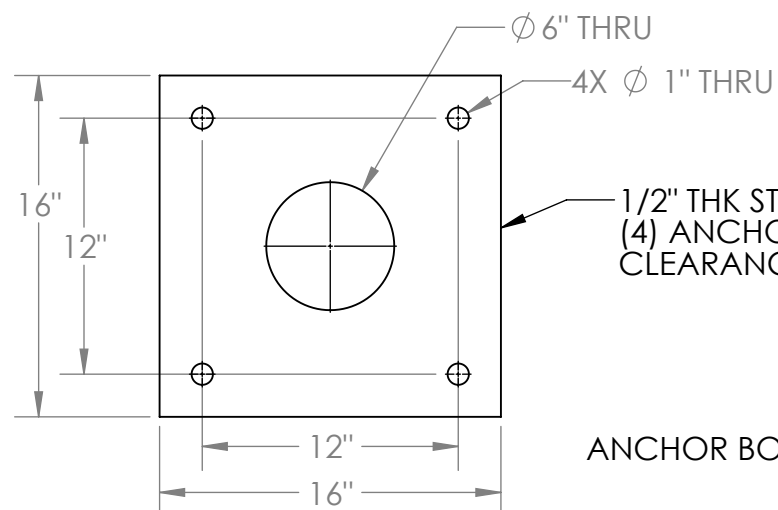
HHCS, 3-4 10 X 2.75  
GRD 5, (4) PER FLANGE



**DETAIL A**  
ARCH TO STANCHION



**DETAIL B**  
FOOTING



NOTES:  
1. FOOTING DETAILS ARE RECOMMENDATIONS ONLY. USE A QUALIFIED CONTRACTOR AND FOLLOW ALL APPLICABLE BUILDING CODES